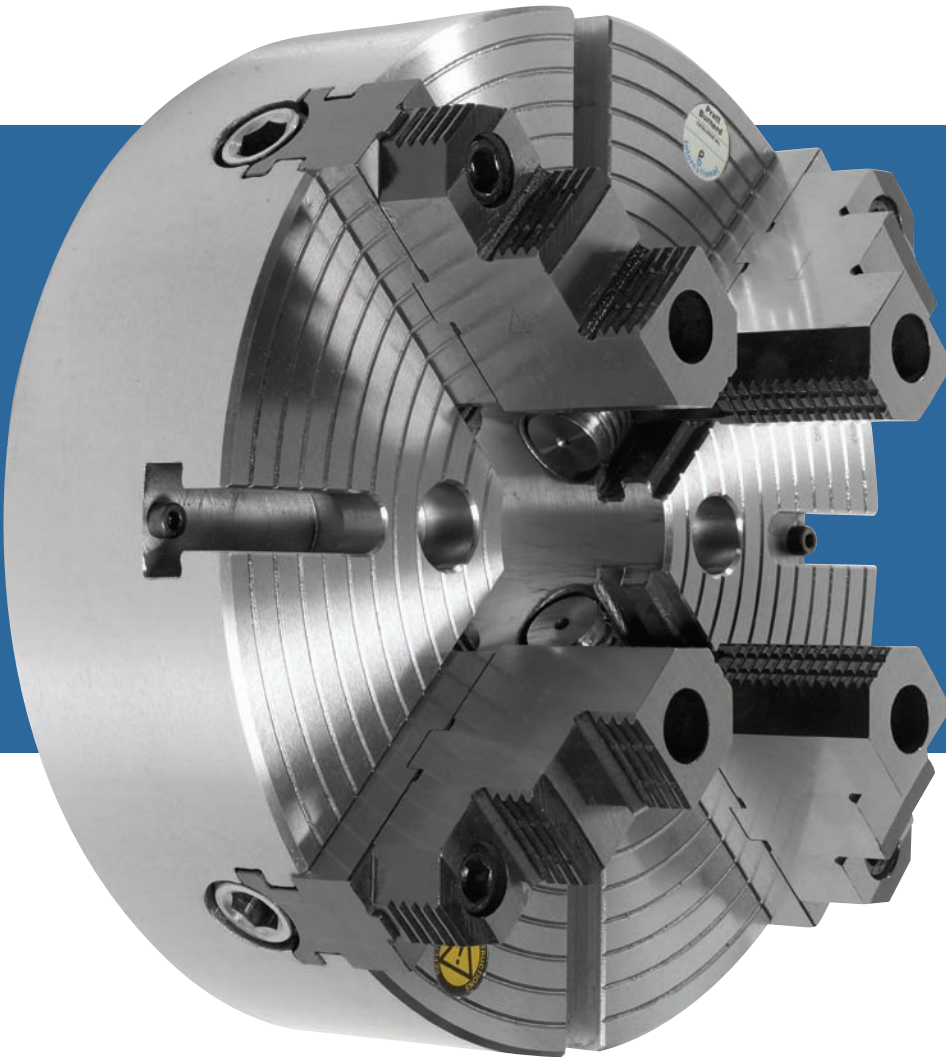




Pratt Burnerd

World leading Chucks and Chucking Systems



LARGE SCROLL AND
INDEPENDENT CHUCKS



Large 3 Jaw Medium Duty Steel Scroll Chucks

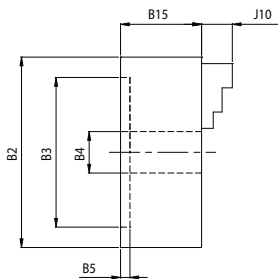
Self Centring

This range of larger sizes of scroll chucks has an all steel body construction. The chucks are available with plain recesses for adaptor mounting, or to suit most national and international standard spindle mounts.

Cross tenon base and hard top jaws are supplied as standard with the option of soft top jaws or single piece hard reversible jaws available on request.

The bore sizes specified are standard. Chucks with larger bore sizes, generally up to 50% of body diameter are available on request.

- Sizes from 18" to 48"
- Two piece American cross tenon jaws as standard
- Steel body
- T-Slots standard on all sizes
- Straight recess for adaptor mounting or to international standard mounts*
- Larger chucks available on request
- Twelve Month warranty



Chuck Diameter	Recess Mount	Cam lock	D Type Mount	A type Mount		L type Mount	
18"	1833-2000-8.3						
20"	2033-2000	D1-8	2033-20D8	A2-8	2033-20A8	L1	2033-20L1
		D1-11	2033-2D11	A2-11	2033-2A11	L2	2033-20L2
24"	2433-2000	D1-8	2433-20D8	A2-8	2433-20A8	L2	2433-20L2
		D1-11	2433-2D11	A2-11	2433-2A11		
28"	2833-2000	D1-15	2833-2D15	A2-15	2833-2A15	L2	2833-20L2
		D1-20	2833-2D20	A2-20	2833-2A20		
32"	3233-2000	D1-15	3233-2D15	A2-15	3233-2A15		
		D1-20	3233-2D20	A2-20	3233-2A20		
36"	3633-2000						
40"	4033-2000						
48"	4833-2000						

3 JAW Chuck Diameter	Body Dia (mm)	Recess Dia (mm)	Bore Dia (mm)	Recess Depth (mm)	Body Width (mm)	Jaw Height from body (mm)	Chuck Weight (Kg)	Input Torque Nm (Nm)	Static grip per jaw (DaN)	Max Speed (RPM)
	B2	B3	B4	B5	B15	J10				
18"	460	382	140.0	6.0	108.0	87.5	105	235	2670	1500
20"	500	400	140.0	6.0	105.9	84.3	165	235	2670	1200
24"	600	545	190.0	6.0	107.9	96.5	212	235	2800	1000
28"	710	605	260.0	6.0	115.8	92.5	245	235	2800	900
32"	810	705	260.0	6.0	137.9	80.9	305	235	2800	800
36"	910	810	204.4	7.9	162.0	80.9	690	300	9420	600
40"	1000	910	260.0	7.9	162.0	80.9	840	300	9420	500
48"	1200	1110	260.0	7.9	162.0	80.9	1230	300	9420	400

*Customer to provide mount type and size, mounting bolts required and pcd of holes.
For dimensional information, refer to sketch above. Bore diameter can be made to order on request.



Large 3 Jaw Heavy Duty (Oil Country) Steel Scroll Chucks

Self Centring Type

These larger size chucks have bodies manufactured in steel with nitride hardened scrolls fitted.

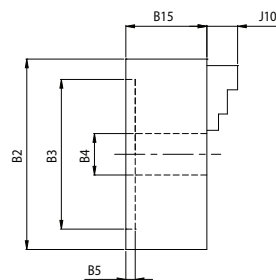
The Cross tenon base and hard top jaws supplied as standard with this chuck are wider and more robust than those supplied with the medium duty version.

Chucks are available with recess mounts for adaptor mounting or with direct mounting interface to most national and international standard spindle mounts.

Chucks with larger bores, generally up to 50% of body diameter can also be supplied.

- Sizes from 20" to 40"
- Large bore
- Extra wide Two piece American cross tenon jaws with serrated gripping surfaces for increased grip as standard
- Steel body
- T-Slots standard on all sizes
- Straight recess for adaptor mounting or to international standard mounts*
- Larger chucks available on request
- Twelve Month warranty

Chuck Diameter	A type Mount	
20"	A2-11	2033-2A11EX
	A2-15	2033-2A15EX
24"	A2-15	2433-2A15EX
	A2-20	2433-2A20EX
28"	A2-15	2833-2A15EX
	A2-20	2833-2A20EX
32"	A2-15	3233-2A15EX
	A2-20	3233-2A20EX
36"	A2-20	3633-2A20EX
40"	A2-20	4033-2A20EX
	A2-28	4033-2A28EX



3 JAW Chuck Diameter	Body Dia (mm)	Bore Dia (mm)	Recess Depth (mm)	Body Width (mm)	Jaw Height from body (mm)	Chuck Weight (Kg)	Input Torque Nm (Nm)	Static grip per jaw (DaN)	Max Speed (RPM)
	B2	B4	B5	B15	J10				
20"	500	171.5	6.0	161	82.8	182	312	3600	1100
24"	600	273.0	6.0	167	82.8	278	312	3600	850
28"	710	273.0	6.0	174	91.9	405	312	3600	750
32"	810	273.0	6.0	179	91.9	645	300	3780	600
36"	900	368.3	7.9	162	91.9	690	300	3780	500
40"	1000	368.3	7.9	190	91.9	890	300	3780	500

*Customer to provide mount type and size, mounting bolts required and pcd of holes.
For dimensional information, refer to sketch above. Bore diameter can be made to order on request.



Large 3 or 4 Jaw Steel Combination Chucks

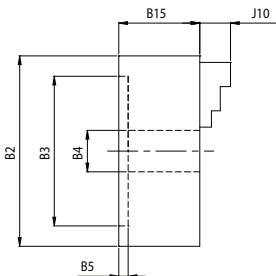
Self centring with independent adjustment

This range of larger sizes of combination chucks, where into each scroll jaw an independent operating screw is fitted, allowing for independent adjustment of the top jaw along with the repeatability of a scroll chuck.

The chucks are made to order with plain recesses or to suit most national and international standard spindle mounts.

Cross tenon base and hard top jaws are supplied as standard with the option of soft top jaws or single piece hard reversible jaws available on request.

- Sizes from 24" to 40"
- Two piece American cross tenon jaws as standard
- Steel body
- Operating screws hardened and ground
- T-Slots standard on all sizes
- Straight recess for adaptor mounting or to international standard mounts*
- Bespoke designs available on request
- Twelve Month warranty



Chuck Diameter	Recess Mount	Cam lock	Part Code	Type
24"	2427-2000	D1-11	2427-2D11	A1-11 2427-2A11
		D1-15	2427-2D15	A1-15 2427-2A15
28"	2827-2000	D1-11	2827-2D11	A1-11 2827-2A11
		D1-15	2827-2D15	A1-15 2827-2A15
32"	3227-2000	D1-11	3227-2D11	A1-11 3227-2A11
		D1-15	3227-2D15	A1-15 3227-2A15
		D1-20	3227-2D20	A1-20 3227-2A20
36"	3627-2000	D1-11	3627-2D11	A1-11 3627-2A11
		D1-15	3627-2D15	A1-15 3627-2A15
		D1-20	3627-2D20	A1-20 3627-2A20
40"	4027-2000	D1-15	4027-2D15	A1-15 4027-2A15
		D1-20	4027-2D20	A1-20 4027-2A20

Chuck Diameter		Body Width (inches) B15	Mount Holes PCD (inches)	Dia (inches) B2	Chuck Bore (inches) B4	Base Jaw Length (inches)	Mounting Bolts (inches)
24"	Recess (B3)	7.68	23.07	21.45	7.56 to 10.55	8.35/7.09	M16
	A/D 11	8.66	9.25	7.75	7.56	8.35	M16
	A/D 15	9.65	13.00	11.25	10.51	7.09	M16
28"	Recess (B3)	7.87	25.98	23.82	7.56 to 10.55	9.72/8.35	M16
	A/D 11	8.86	9.25	7.75	7.56	9.72	M20
	A/D 15	8.86	13.00	11.25	10.51	8.35	M20
32"	Recess (B3)	8.07	29.92	27.76	10.51 to 15.00	9.72/7.24	M20
	A/D 11	9.06	9.25	7.75	7.56	10.71	M20
	A/D 15	9.06	13.00	11.25	10.51	9.72	M20
	A/D 20	9.06	18.25	16.25	15.00	7.24	M20
36"	Recess (B3)	8.46	33.46	31.69	11.02 to 15.00	10.71/9.72	M20
	A/D 11	9.45	9.25	7.75	7.56	10.71	M24
	A/D 15	9.45	13.00	11.25	11.02	10.71	M24
	A/D 20	9.45	18.25	16.25	15.00	9.72	M24
40"	Recess (B3)	8.86	37.40	35.63	11.02 to 16.06	12.87/10.71	M24
	A/D 15	9.84	13.00	11.25	11.02	12.87	M24
	A/D 20	9.84	18.25	16.25	16.06	10.71	M24

*Customer to provide mount type and size, mounting bolts required and pcd of holes.

For dimensional information, refer to sketch above. Bore diameter can be made to order on request.

Information for B5 and J10 available on request



Large 4 Jaw Medium Duty Steel Independent Chucks

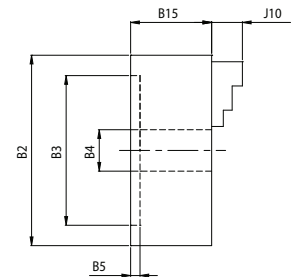
These large independent chucks are offered in steel construction. They can be supplied with plain recesses for adaptor mounting, or to suit most national and international standard spindle mounts.

Cross tenon base and hard top jaws are supplied as standard with the option of soft top jaws or single piece hard reversible jaws available on request.

The bore sizes specified are standard. Chucks with larger bore sizes, generally up to 50% of body diameter are available on request.

- Sizes from 14" to 48"
- Two piece American cross tenon jaws as standard
- Medium Duty
- Hardened and ground operating screws
- Steel body
- T-Slots standard
- Straight recess for adaptor mounting or to international standard mounts*
- Larger chucks available on request
- Twelve Month warranty

Chuck Diameter	Recess Mount	Cam lock	D Type Mount	A type Mount	
14"	1443-2000	D1-6 D1-8	1443-20D6 1433-20D8		
16"	1643-2000	D1-8 D1-11	1643-20D8 1643-2D11		
18"	1843-2000	D1-8 D1-11	1843-20D8 1843-2D11	A2-8 A2-11	1843-20A8 1843-2A11
20"	2043-2000	D1-8 D1-11	2043-20D8 2043-2D11	A2-8 A2-11	2043-20A8 2043-2A11
24"	2443-2000	D1-8 D1-11	2443-20D8 2443-2D11	A2-8 A2-11	2443-20A8 2443-2A11
28"	2843-2000	D1-11	2843-2D11	A2-15 A2-20	2843-2A15 2843-2A20
32"	3243-2000	D1-11	3243-2D11	A2-11 A2-15 A2-20	3243-2A11 3243-2A15 3243-2A20
36"	3643-2000	D1-11	3643-2D11	A2-15 A2-20	3643-2A15 3643-2A20
40"	4043-2000				
48"	4843-2001	D1-11 D1-15	4843-2D11 4843-2D15		



4 JAW Chuck Diameter	Body Dia (mm)	Recess Dia (mm)	Bore Dia (mm)	Recess Depth (mm)	Body Width (mm)	Jaw Height from body (mm)	Chuck Weight (Kg)	Input Torque Nm (Nm)	Static grip per jaw DaN (DaN)	Max Speed (RPM)
	B2	B3	B4	B5	B15	J10				
14"	360	150	75.0	6.0	80.0	68.6	46	96	3340	1350
16"	405	200	103.0	6.0	80.0	68.6	60	96	3340	1150
18"	460	200	103.0	6.0	110.0	81.8	124	96	3340	980
20"	500	250	103.0	6.0	110.0	81.8	130	312	3600	850
24"	600	250	103.0	6.0	125.0	81.8	278	312	3600	650
28"	710	250	120.0	6.0	140.0	93.9	405	312	3600	500
32"	810	250	135.0	6.0	146.5	92.0	645	312	3600	400
36"	900	355	166.3	10.0	139.7	93.9	765	312	3600	310
40"	1000	500	300.0	10.0	139.7	93.9	800	312	3800	250
48"	1200	500	380.0	10.0	139.7	93.9	875	312	3800	250

*Customer to provide mount type and size, mounting bolts required and pcd of holes.
For dimensional information, refer to sketch above. Bore diameter can be made to order on request.



Large 4 Jaw Heavy Duty (Oil Country) Steel Independent Chucks

Independent Jaw Type

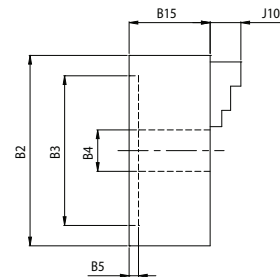
These large independent chucks are offered in steel construction. They can be supplied with adaptor recesses or with the facility for direct mounting to standard spindle noses.

The Cross tenon base and hard top jaws supplied as standard with this chuck are wider and more robust than those supplied with the medium duty version.

Larger diameter chucks and chucks with larger bore sizes than those catalogued can be supplied to suit customer's requirements.

- Sizes from 18" to 60"
- Large bore
- Extra wide Two piece American cross tenon jaws with serrated gripping surfaces for increased grip as standard
- Large diameter Hardened and Ground operating screws
- Steel body
- T-Slots standard
- Straight recess for adaptor mounting or to international standard mounts*
- Larger chucks and/or bore sizes available on request
- Twelve Month warranty

Chuck Diameter	A type Mount	
20"	A2-8	2043-20A8EX
	A2-11	2043-2A11EX
24"	A2-8	2443-20A8EX
	A2-11	2443-2A11EX
28"	A2-15	2843-2A15EX
	A2-20	2843-2A20EX
32"	A2-15	3243-2A15EX
	A2-20	3243-2A20EX
40"	A2-28	4043-2A28EX



4 JAW Chuck Diameter	Body Dia (mm)	Recess Dia (mm)	Bore Dia (mm)	Recess Depth (mm)	Body Width (mm)	Jaw Height from body (mm)	Chuck Weight (Kg)	Input Torque Nm (Nm)	Static grip per jaw (DaN)	Max Speed (RPM)
	B2	B3	B4	B5	B15	J10				
20"	500	500	140	6	105.9	82.8	182	312	3600	850
24"	600	545	190	6	107.9	82.8	278	312	3600	650
28"	710	605	260	6	115.8	92.0	405	312	3600	500
32"	810	705	260	6	137.9	92.0	645	312	3780	400
40"	1000	-	420	-	162.0	92.0	850	312	3600	250

*Customer to provide mount type and size, mounting bolts required and pcd of holes. For dimensional information, refer to sketch above.



Pratt Burnerd | World leading Chucks and Chucking Systems

Pratt Burnerd International | Union Street | Heckmondwike | West Yorkshire | WF16 0HL

Telephone +44 (0) 1924 415 000 | Fax +44 (0) 1924 415 011 | mail@pratt-burnerd.co.uk



Certificate No. FM12345