



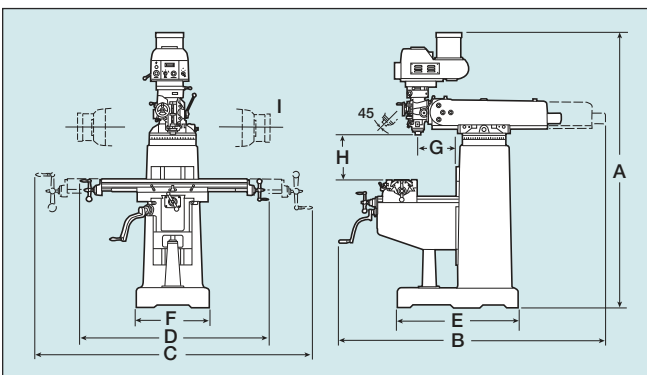
Clausing EVS Vertical Mills Models: 400EVS, 450EVS, 500EVS Specifications:

Model	400EVS	450EVS	500EVS
Table:			
Table Size	10" x 50" (254 x 1270mm)	10" x 54" (254 x 1372mm)	11" x 58" (254 x 11473mm)
No. of T-slots	3	3	3
T-slot Width	.63" (16mm)	.63" (16mm)	.63" (16mm)
T-slot Center Distance	2.48" (63mm)	2.48" (63mm)	2.48" (63mm)
Travels:			
X Axis, Longitudinal	35" (889mm)	34.6" (879mm)	38.2" (970mm)
Y Axis, Cross	16" (406mm)	16" (406mm)	16" (406mm)
Z Axis, Knee	16" (406mm)	16" (406mm)	17.7" (450mm)
Ram Travel	22" (559mm)	22" (559mm)	22" (559mm)
Ram Swivel	360°	360°	360°
Spindle to Column	5.9"-28.9" (150 - 734mm)	5.8"-28.9" (147 - 734mm)	5.3"-27.2" (135 - 691mm)
Spindle Nose to Table	3.54"-19.7" (90 - 500mm)	3.54"-19.7" (90 - 500mm)	1.57"-19.2" (40 - 489mm)
Spindle:			
Spindle Drive Motor	3 hp (2.25kw)	3 hp (2.25kw)	5 hp (3kw)
Spindle Speed Range	50-5000 rpm	50-5000 rpm	50-5000 rpm
Spindle Taper	R-8 or ISO30	R-8 or ISO30	R-8 or ISO30
Quill Travel	5" (127mm)	5" (127mm)	5" (127mm)
Quill Diameter	3.28" (83mm)	3.38" (83mm)	3.38" (83mm)
Quill Feed (in/rev) (mm/rev)	.00157"/.00315"/.006" (.04/.08/.152)		
Head Tilt (Front or Back)	45°	45°	45°
Head Tilt (Left or Right)	90°	90°	90°
Dimensions & Weights:			
Column Turret Diameter	15.75" (400mm)	15.75" (400mm)	16.54" (420mm)
Knee width	13.75" (349mm)	15.35" (390mm)	15.35" (390mm)
Knee Bearing Length	17.72" (450mm)	17.72" (450mm)	19.69" (500mm)
Saddle Length	20.08" (510mm)	25.59" (650mm)	25.59" (650mm)
Table Bearing Length	11.26" (286mm)	11.26" (286mm)	11.02" (280mm)
Ram/Turret Bearing Length	17.72" (450mm)	17.72" (450mm)	17.72" (450mm)
Machine Weight	2,640 lbs. (1198kg)	2,750 lbs. (1247kg)	3,300 lbs. (1497kg)
Shipping Weight	3,040 lbs. (1379kg)	3,150 lbs. (1429kg)	3,700 lbs. (1678kg)

Specifications and design subject to change without notice.

Standard Features...

- Totally enclosed electrics with Yaskawa A.C. inverter variable speed drive
- Quick and accurate rpm setting
- Head mounted, easy to use control panel
- LCD spindle speed display
- Up to 4 hp spindle motor standard
- Spindle brake with auto power off
- Carbon steel, hardened and ground, chrome plated quill
- Coolant system
- Up to 11" x 58" (254x11473mm) table size
- Meehanite castings for superior rigidity
- Hardened and ground table with 3 ground T-slots
- Double nut leadscrew for easy backlash adjustment
- All ways are hardened and ground with Turcite B coating on X and Y axis ways for wear resistance



Model	400EVS	450EVS	500EVS
A Height	88.6" (2250mm)	88.6" (2250mm)	90.6" (2300mm)
B Depth w/Ram Travel	78" (1980mm)	78" (1980mm)	82.7" (2100mm)
C Width w/Table Travel	102" (2590mm)	105" (2667mm)	110" (2795mm)
D Width	66" (1676mm)	70" (1778mm)	74" (1880mm)
E Base Depth	39" (990mm)	39" (990mm)	44" (1118mm)
F Base Width	23.6" (600mm)	23.6" (600mm)	25" (635mm)
G Spindle to Column	5.9"-28.9"(150-735mm)	5.9"-28.9"(150-735mm)	5.3"-27.2"(135-690mm)
H Spindle to Table	3.54"-19.7"(90-500mm)	3.54"-19.7"(90-500mm)	1.57"-19.2"(40-488mm)
I Head Tilt	90° Right or Left		

MILLING