

## Technical Data

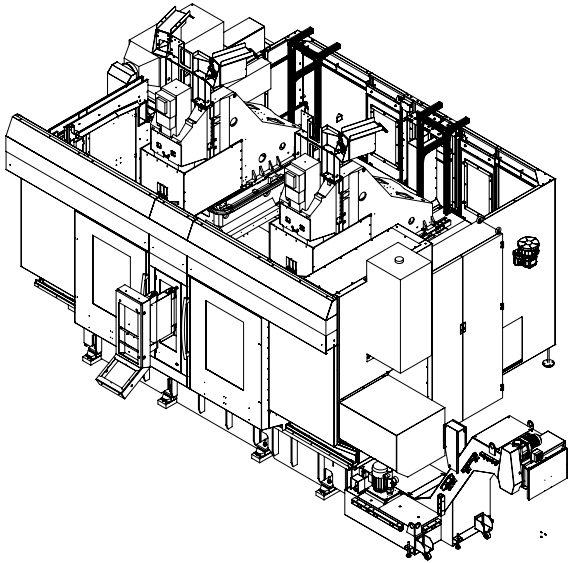
### Milling-Turning Centers

M 726 / M 734 / MT 726 / MT 734 / MT 724 2C / MT 734 2C



# MT 724 2C / MT 734 2C

Milling-Turning Centers with each 2 milling and 2 turning spindles for the complete machining from the bar or chuck



## MT 724 2C      MT 734 2C

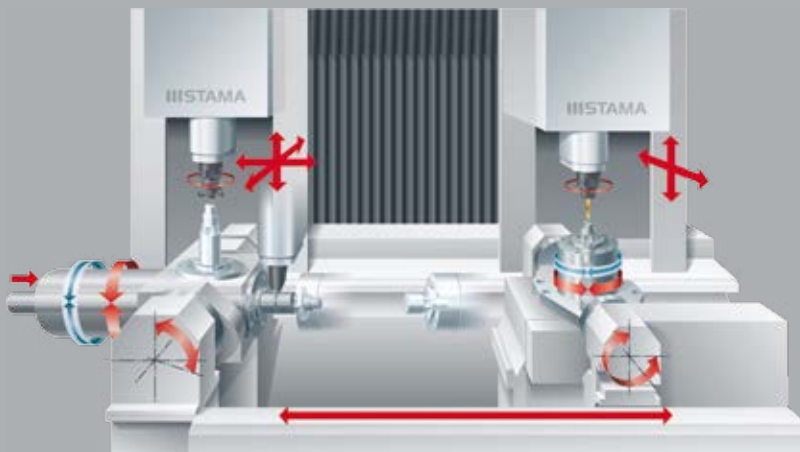
<b>Milling spindle</b>	kW	2 x 31/35	2 x 60
Torque	Nm	2 x 115/138	2 x 200
Spindle speeds	r.p.m.	16000/12000	10000/12000
<b>Turning spindle</b>	kW	43/47	2 x 43
Torque	Nm	180/120	2 x 180/610
Spindle speeds	r.p.m.	4200/5000	4200/1800
<b>Working area</b>			
X-axis	mm	400/900	800/1700
Y-axis	mm	200/200	440/440
Z-axis	mm	360/360	510/510
High speeds	m/min	65	60
Acceleration	g	up to 1.3	up to 1.1
<b>Tools</b>			
		HSK-A63	HSK-A63
Number		2 x 34/48	2 x 64
Weight	kg	5/10	5/10
Diameter	mm	88/125	78/160
Length	mm	250	300
Chip-to-chip time	s	2.6	3.5
<b>Controls</b>			
		Siemens 840D sl	Siemens 840D sl
		Fanuc 31 i-A5	Fanuc 31 i-A5

### Workpiece data

	MT 724 2C	MT 734 2C
<b>Bar length</b>	mm 1000	1000
<b>Bar-Ø</b>	mm 15-80	15-102
<b>Workpiece length</b>	mm 230	320

### Machine data

	M 726	MT 726	MT 726 G	MT 724 2C	MT 734 2C
<b>Height</b>	mm 3230	3230	3230	3332	3830
<b>Width</b>	mm 3000	3000	3000	4700	6240
<b>Depth</b>	mm 4020	4020	4020	4500	4900
<b>Weight</b>	kg 6100	6200	6800	16000	16000



wustrowerbung © STAMA Maschinenfabrik GmbH 09/2015. Subject to technical alterations. Status September 2015.

You need further information? Please adress your inquiry directly to +49/7021/572-0 or to info@stama.de



STAMA Maschinenfabrik GmbH • Siemensstraße 23 • D-73278 Schlierbach  
 Phone +49/7021/572-0 • Fax +49/7021/572-4229 • info@stama.de • www.stama.de  
 Verticale Machining Centers • Milling-Turning Centers • Turnkey Solution • Service