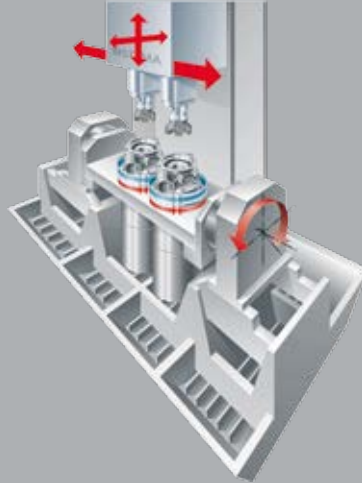


Technical Data
Milling-Turning Centers
MT 837 / MT 838

Sizes and weight

www.stama.de



	MT 837		MT 838	
	Single	TWIN	Single	TWIN
Type				
Height	3690	3690	3690	3690
Width one place	4485	4485	4485	4485
Width two place	7990	7990	7990	7990
Depth	4770	4770	4770	4770
Weight one place	14000	14400	14100	14500
Weight two place	24600	25000	24700	25100

wustrowerbung © STAMA Maschinenfabrik GmbH 09/2015. Subject to technical alterations. Status September 2015.
 You need further information? Please adress your inquiry directly to +49/7021/572-0 or to info@stama.de

wustrowerbung © STAMA Maschinenfabrik GmbH 09/2015



STAMA Maschinenfabrik GmbH • Siemensstraße 23 • D-73278 Schlierbach
 Phone +49/7021/572-0 • Fax +49/7021/572-4229 • info@stama.de • www.stama.de
 Verticale Machining Centers • Milling-Turning Centers • Turnkey Solution • Service